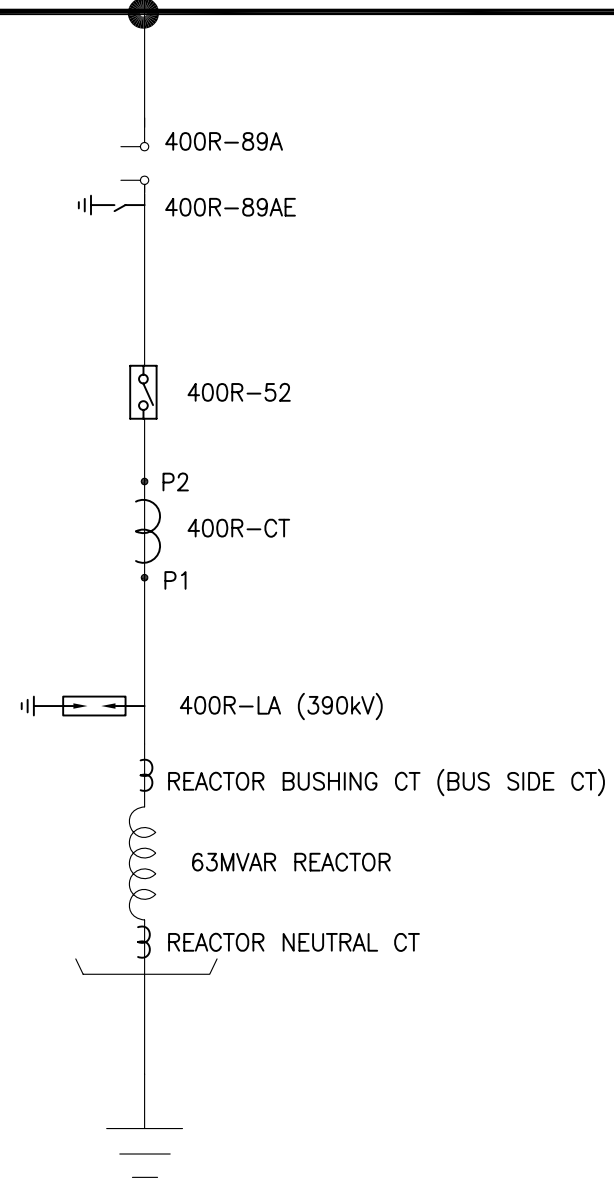


MAIN BUS-I 400KV,50Hz, 3-PH, 2000A,40KA FOR 1SEC



SCHEDULE OF EQUIPMENT

S.NO.	DESCRIPTION	SYMBOL	ABR.	QTY.
1	400kV, 2000A, 40KA FOR 1 SEC., 3 PH. SF6 CIRCUIT BREAKER WITHOUT CLOSING RESISTOR		52	01
2	400kV, 3150A, 40KA FOR 1 SEC., 3 PH. CENTRE BREAK ISOLATOR WITH ONE EARTH SWITCH		89 89E	01
3	400kV,2000A, 40KA FOR 1 SEC., 1 PH. CURRENT TRANSFORMER		CT	03
4	390kV, 10kA Class-3 SURGE ARRESTER		LA	03
5	63MVAR, 400KV REACTOR			01

400 kV, 2000 A CURRENT TRANSFORMER

Core No.	RATIO	Output Burden at Highest Tap	Min KPv	Max Ie	Max Rct	Acc Class	Purpose
1	2000-1000/1	-	2000-1000 V	30 mA at KPv AT HIGHEST TAP	10-5 OHM	PS	Busbar Differential
2	2000-1000/1	-	2000-1000 V	30 mA at KPv AT HIGHEST TAP	10-5 OHM	PS	LBB
3	2000-1000-500/1	20 VA	-	-	-	0.2	Metering
4	2000-1000-500/1	-	2000-1000-500 V	30 mA at KPv AT HIGHEST TAP	10-5-2.5 OHM	PS	Reactor Differential
5	2000-1000-500/1	-	2000-1000-500 V	30 mA at KPv AT HIGHEST TAP	10-5-2.5 OHM	PS	Spare

BUS REACTOR

NAME OF CUSTOMER KARNATAKA POWER TRANSMISSION CORPORATION LIMITED  
 NAME OF PROJECT (INSTALLATION OF 1X63MVAR BUS REACTOR)

COPY RIGHT AND CONFIDENTIAL  
 The information on this document is the property of BHARAT HEAVY ELECTRICALS LIMITED it must not be used directly or indirectly in anyway detrimental to the interest of the company.

COMPUTER DRG. PATH NAME :

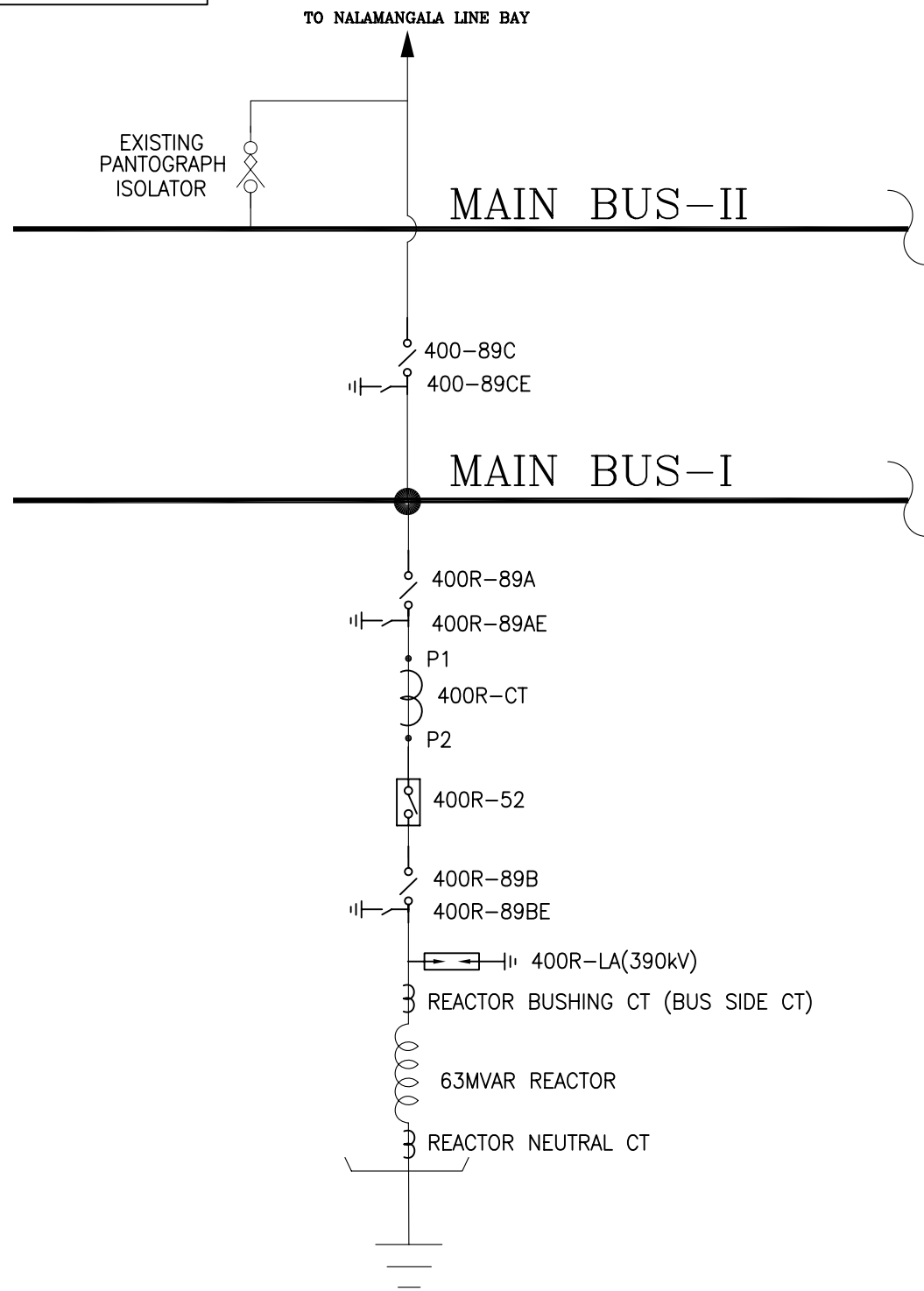
SIGN & DATE

REV.	DATE	ALTD.	CHD.	APPD.	REV.	DATE	ALTD.	CHD.	APPD.	NAME	SIGN.	DATE	
02	18.08.11	MM	DKM/VK	RS	01	18.05.11	RK	MM/DKM	DS	DRAWN	JUGENDRA	JUGENDRA	31.01.11
NGR AND 120 KV LA REMOVED										CHECKED	MM/DKM		
DRAWING REVISED AS PER KPTCL COMMENTS DATED 18.04.11										APPROVED	DS		
										DISTRIBUTION OF PRINTS			
										DEPT.	CODE		
										TBEM	422		



BHARAT HEAVY ELECTRICALS LIMITED TRANSMISSION PROJECTS DIVISION		CARD CODE
SINGLE LINE DIAGRAM FOR MODIFICATION WORKS AT 400/220KV S/S NELAMANGALA		NEXT SHEET --- SHEET No. 01
SCALE 1:500	W.O. No. 80008	DRG. No. TB-3-341-510-001 REV. 02

DRG. NO. TB-3-341-510-001A



SCHEDULE OF EQUIPMENT

S.NO.	DESCRIPTION	SYMBOL	ABR.	QTY.
1	400kV, 2000A, 40KA FOR 1 SEC., 3-PH. SF6 CIRCUIT BREAKER WITHOUT CLOSING RESISTOR		52	01
2	400kV, 3150A, 40KA FOR 1 SEC., 3-PH. DOUBLE BREAK ISOLATOR WITH ONE EARTH SWITCH		89 89E	03
3	400kV, 3000A, 40kA FOR 1 SEC., 1-PH. CURRENT TRANSFORMER		CT	03
4	390kV, 10kA Class-3 SURGE ARRESTER		LA	03
5	63MVAR, 400KV REACTOR			01

400 kV, 3000 A CURRENT TRANSFORMER.

Core No.	RATIO	Output Burden at Highest Tap	Min KPv	Max Ie	Max Rct	Acc Class	Purpose
1	3000-2000-500/1	-	3000-2000-500 V	20 mA at KPv AT HIGHEST TAP	15-10-2.5 OHM	PS	Spare
2	3000-2000-500/1	-	3000-2000-500 V	20 mA at KPv AT HIGHEST TAP	15-10-2.5 OHM	PS	Reactor Differential
3	3000-2000-500/1	20 VA	-	-	-	0.2	Metering
4	3000-2000-500/1	-	3000-2000-500 V	20 mA at KPv AT HIGHEST TAP	15-10-2.5 OHM	PS	Busbar Differential
5	3000-2000-500/1	-	3000-2000-500 V	20 mA at KPv AT HIGHEST TAP	15-10-2.5 OHM	PS	Busbar Differential, LBB

BUS REACTOR

NAME OF CUSTOMER KARNATAKA POWER TRANSMISSION CORPORATION LIMITED  
 NAME OF PROJECT (INSTALLATION OF 1X63MVAR BUS REACTOR)



BHARAT HEAVY ELECTRICALS LIMITED  
 TRANSMISSION PROJECTS DIVISION  
 SINGLE LINE DIAGRAM FOR MODIFICATION WORKS  
 AT 400/220KV S/S HOODY  
 SCALE: 1:500 W.O. No. 80008 DRG. No. TB-3-341-510-001A

COPY RIGHT AND CONFIDENTIAL  
 The information on this document is the property of BHARAT HEAVY ELECTRICALS LIMITED  
 it must not be used directly or indirectly in anyway detrimental to the interest of the company.

COMPUTER DRG. PATH NAME :

SIGN & DATE

REV.	DATE	ALTD.	CHD.	APPD.	REV.	DATE	ALTD.	CHD.	APPD.	NAME	SIGN.	DATE	
02	01.08.11	MM	DKM/VK	RS	01	18.05.11	RK	MM/DKM	DS	DRAWN	JUGENDRA	JUGENDRA	31.01.11
NGR AND 120 KV LA REMOVED					DRAWING REVISED AS PER KPTCL COMMENTS DATED 11.04.11					CHECKED	MM/DKM		
										APPROVED	DS		
DISTRIBUTION OF PRINTS													
										DEPT.	CODE		
										TBEM	422		

CARD CODE	
NEXT SHEET	01
SHEET No.	--
REV.	02